



MESH XL

3250816

MESH XL Floor H. 1900 mm - LED 3000K 75°

Lighting information

Source power type	LED
Colour temperature	3000K
CRI	>90
MCADAMS	3
LM 80/TM-21	L80B10@>60Kh

Source power	23,80 W
Nominal flux	2625 lm

Plug-in power	27,00 W
Real flux	1520 lm
Maximum intensity	565 cd/klm
Beam angle	75°

Power Supply Unit	220 ÷ 240V
Operating frequency	50/60 Hz
Power factor	1,00
Dimmable	TRIAC
Safety class	I
Wiring	External
Cable section	3 x 1,00 mm ²
Cable length	3.000 mm;
Cable type	H05RN-F
Connector	IP44 shuko plug

Protection Rating	IP65
Breaking Strength	IK 07

Energy efficiency class	A/A+/A++
Diffuser type	Methacrylate frosted
Diffuser thickness	3 mm

Colours

Standard colour

.02 White .09 Bronze

Colours available on request

.07 Corten .08 Anthracite



Platek®

PLATEK s.r.l.
Via Paderno, 19 | 25050 Rodengo Saiano (BS) ITALY
P.IVA 03320290178 | Codice fiscale 03007130176
Registro delle Imprese di Brescia n. 03007130176 REA 311057
Capitale sociale Euro 1.000.000,00 i.v. Società con unico socio

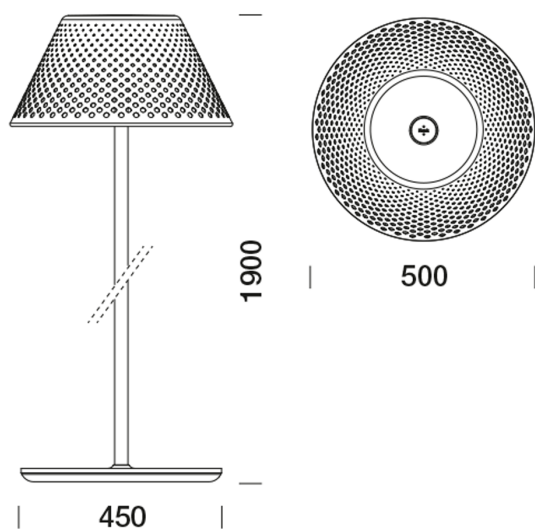
Last update:20/04/2022

MESH XL

Product features

Head manufactured from milled steel and base in die-cast aluminium EN 44300 with very low copper content. Rod manufactured in stainless steel. As an alternative to the traditional polycarbonate (PC), used with diffusers to seal the lamp polymethylmethacrylate (PMMA) is used, so we obtain characteristics of high transparency, UV resistance and scratch resistance. No visible screws. Subjected to galvanic anodizing treatment divided into distinct phases: mechanical satin finishing, surface degreasing, anodic oxidation and final sealing. The product is painted following a continuous two step paint process (epoxy-based primer + polyester-based colour finish), which allows to generate a single thick protective coating which then generates a protective barrier against atmospheric agents and UV rays.

Technical dimensions



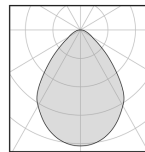
Technical shipping information

Net weight	12,00 kg
Gross weight	15,00 kg
Packaging width	500,00 mm
Packaging height	520,00 mm
Packaging depth	2.100,00 mm

3250816

MESH XL Floor H. 1900 mm - LED 3000K 75°

Lighting information



Plug-in power	27,00 W
Real flux	1520 lm
Maximum intensity	565 cd/klm
Beam angle	75°

Lighting Simulation



H. 1900 mm

simulation made with MESH XL Piantana H. 1900 mm 27,0 W 3000K

Optics:	75°
Code:	3250816
Distance between products:	6 m

Plug-in power	27,00 W
Real flux	1520 lm
Maximum intensity	565 cd/klm
Beam angle	75°

Platek®

PLATEK s.r.l.
Via Paderno, 19 | 25050 Rodengo Saiano (BS) ITALY
P.IVA 03320290178 | Codice fiscale 03007130176
Registro delle Imprese di Brescia n. 03007130176 REA 311057
Capitale sociale Euro 1.000.000,00 i.v. Società con unico socio

Last update:20/04/2022

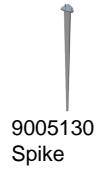
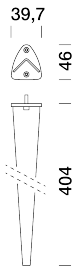


MESH XL

3250816

MESH XL Floor H. 1900 mm - LED 3000K 75°

Mechanical accessories





MESH XL

3250816

MESH XL Floor H. 1900 mm - LED 3000K 75°

The process of galvanisation and multi-coating protection

Platek goes well beyond the standards required for conventional protection processes, making use of its longstanding and in-depth expertise in aluminium alloys. All the aluminium components of the products - extruded, die-cast or turned - are subjected to a galvanic anodizing process in the phase following mechanical processing. The process increases their wear resistance and improves the adhesion of the paint. Galvanization involves three distinct phases: mechanical satin finishing and surface degreasing, anodic oxidation and fixing. After the first phase that eliminates any impurities, the aluminium body is immersed in special electrolytic tanks, in which the aluminium surface is transformed into aluminium oxide, which makes the metal more resistant. To respond optimally to the needs of the global market, all Platek products undergo a two-layer painting process. After preparation with washing and rinsing in accordance with the strictest environmental standards, the product is coated with an epoxy primer which guarantees, in addition to anodizing, an excellent degree of protection. The final step is the preparation of the polyester powder which gives the final velvety finish of the component. These last two phases, being done in a continuous cycle, form a single high-thickness layer that is resistant to the action of UV rays and atmospheric agents. This process allows corrosion resistance in salt fog that far exceeds the average standards of the market to be achieved.

Precise LED selection

All LEDs used by Platek, once assembled by trusted personnel are tested with suitable instruments to check the colour specification required by Platek standards. The choice of using only 3 McAdams colour steps and with a CRI value exceeding 90, provide a high level of light quality that is difficult to find in the world of outdoor lighting. As far as LED products are concerned, Platek has adopted a system of protection against electrostatic discharge along the entire production chain of electronic components to increase the resistance of circuits to power surges.

Platek®

PLATEK s.r.l.
Via Paderno, 19 | 25050 Rodengo Saiano (BS) ITALY
P.IVA 03320290178 | Codice fiscale 03007130176
Registro delle Imprese di Brescia n. 03007130176 REA 311057
Capitale sociale Euro 1.000.000,00 i.v. Società con unico socio

Last update:20/04/2022