

LITA




Design David Dolcini

**LUCE
PLAN**

Type: Floor
Lamps: LED E27 dimmable
Product use: Indoor
Materials: Solid ash wood or painted aluminium, blown glass diffuser

Colors: **Structure:** painted matt white or ash wood
Diffuser: satin opal

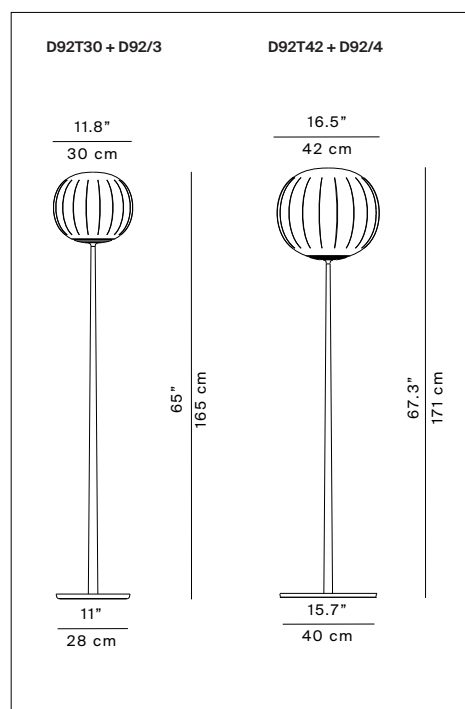
Description: The diffuser in opaline blown glass – whose surface is scanned by the repetition of slight vertical cusps that vanish at the extremities – is combined with a wooden or aluminium structure, making Lita a product with a forceful material character. A timeless and evocative object that combines the crafts tradition with technical research, seductive in its way of matching visual and tactile sensations.

Insulation class:   

Reference code: Structure
D92T30 1D920T300002 painted matt white
D92T30 1D92ZT300099 ash wood (*)
D92/5 1D920/500000 base weight

D92T42 1D920T420002 painted matt white
D92T42 1D92ZT420099 ash wood (*)
D92/6 1D920/600000 base weight

Diffuser
D92/3 1D920/300002 opal (Ø 30 cm)
D92/4 1D920/400002 opal (Ø 42 cm)



Certification (*):



The mark of responsible forestry