

ARCHETYPE

design Goodmorning Technology

**LUCE
PLAN**

Type: Suspension
Light source: LED 15W ^(*) 2700K CRI 90
dimnable phase cut or push/DALI
Product use: Indoor
Materials: Aluminium painted body, polycarbonate silkscreened shade.

Colors: White, black, light blue, red

Description: A reassuring, archetypal suspension lamp with a Fifties silhouette. Designed by the Danish studio Goodmorning Technology, it references the emblematic formal rigor and functional minimalism of the legendary "Danish Modern" tradition. A timeless classic that combines high technology and innovative light diffusion with simple lines and clean forms, ideal for both classic and modern settings.

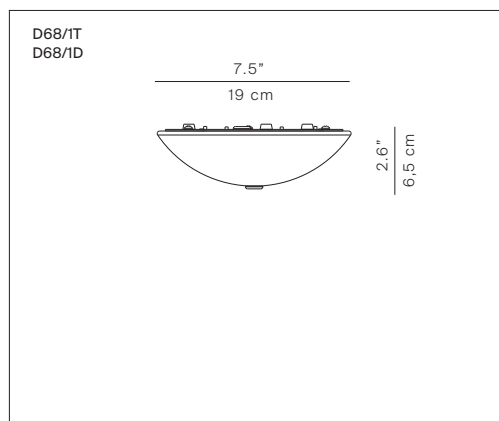
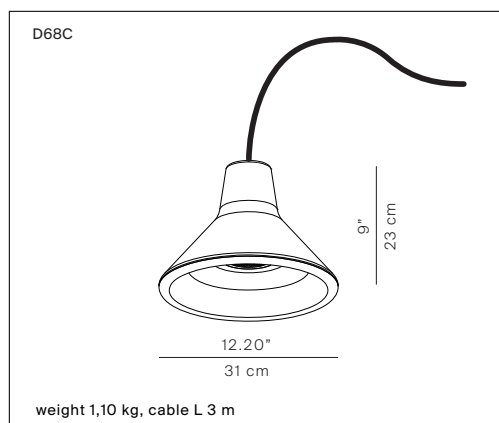
Insulation class: 

Awards: Red Dot 2012, prize

Reference code: Structure D68C
1D680C000002 white
1D680C000001 black
1D680C000023 light blue
1D680C000007 red

Reference code: Ceiling rose D68/1T, dimmable phase cut
1D680/1T0002 white

Ceiling rose D68/1D, dimmable push/DALI
1D680/1D0002 white



^(*) Power consumption by device

