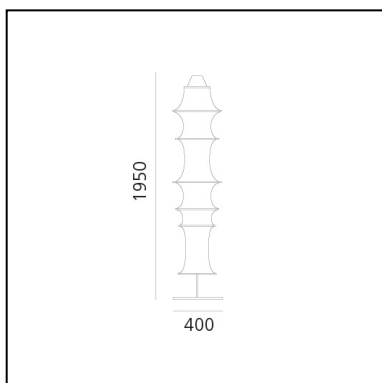


Falkland Floor - Body Lamp

Bruno Munari



IP20 



LUMINAIRE

- Watt: **77W**

Notes

Code related only to electrical part and alluminum gray rod, to be completed with elastic fabric accessory.

DESCRIPTION

Falkland floor is a lamp with a spontaneous shape that is achieved by the contrasting forces of its components: the tension of a stretched tube of finely woven fabric and the weight of seven different sized metal rings. A single light bulb and aluminium reflector illuminate the curves of the fabric.

PRODUCT CODE: DS2040BAR00

FEATURES

- Article Code: **DS2040BAR00**
- Colour: **White/Alluminum gray**
- Installation: **Floor**
- Material: **Filanca, steel**
- Series: **Design Collection, Danese**
- Environment: **Indoor**
- design by: **Bruno Munari**

DIMENSIONS

- Height: **cm 195**
- Base Diameter: **cm 40**

NOT INCLUDED SOURCES

- Category: **HALO**
- Number: **1**
- Watt: **77W**
- Socket: **E27**
- Class: **A**

ALTERNATIVE SOURCES

- Category: **LED RETROFIT**
- Number: **1**
- Watt: **8W**
- Socket: **E27**

Accessories



Fireproof fabric 165 + metal hoops inox
DS2040CRCI



Base lamp aluminium grey DS2040BB00



Fabric 165 + metal hoops inox DS2040CRC