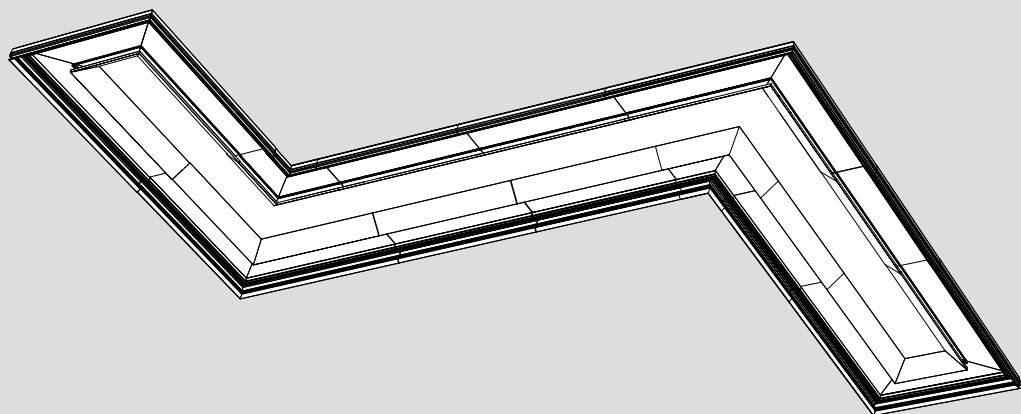


# Artemide®

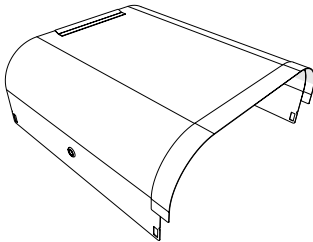
## Caelum structure

design  
E. Gismondi



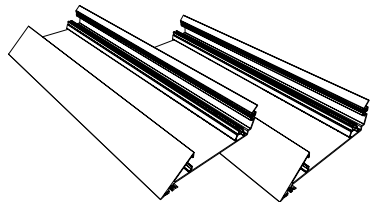


i



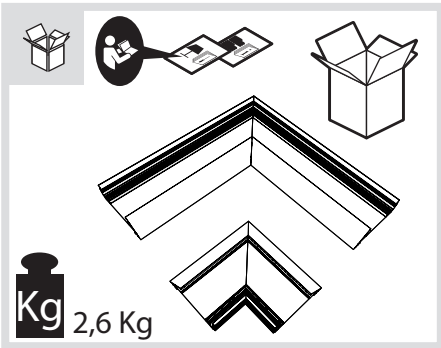
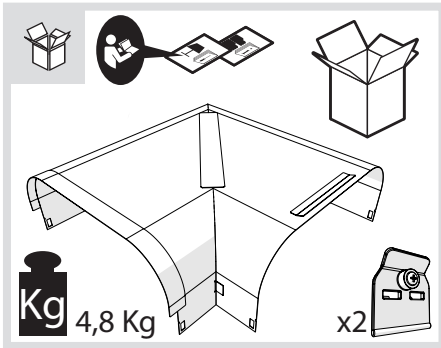
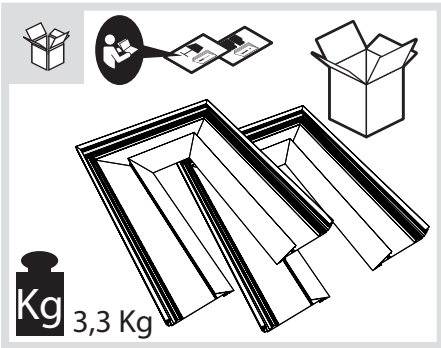
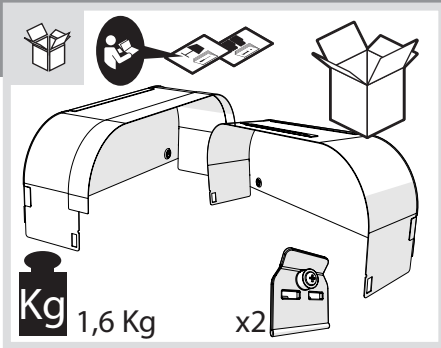
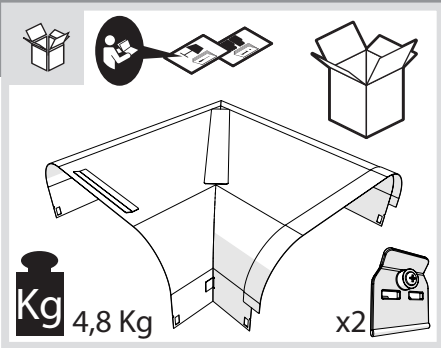
**Kg**

500 mm = 3,3 Kg  
600 mm = 3,9 Kg  
700 mm = 4,6 Kg



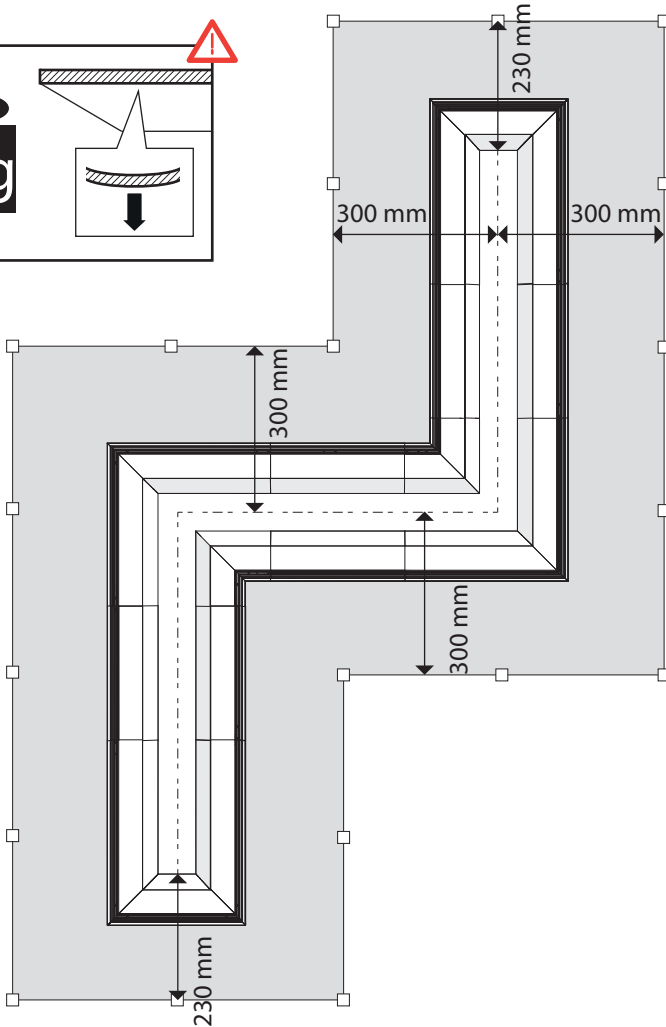
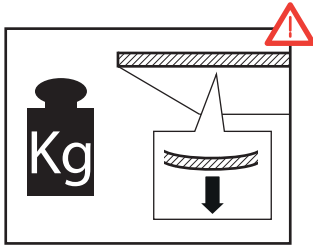
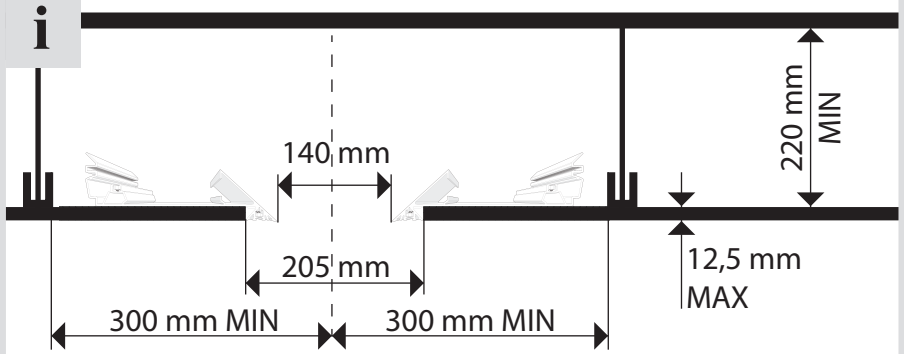
**Kg**

500 mm = 1,1 Kg  
1000 mm = 2,2 Kg  
2000 mm = 4,4 Kg  
3000 mm = 6,6 Kg

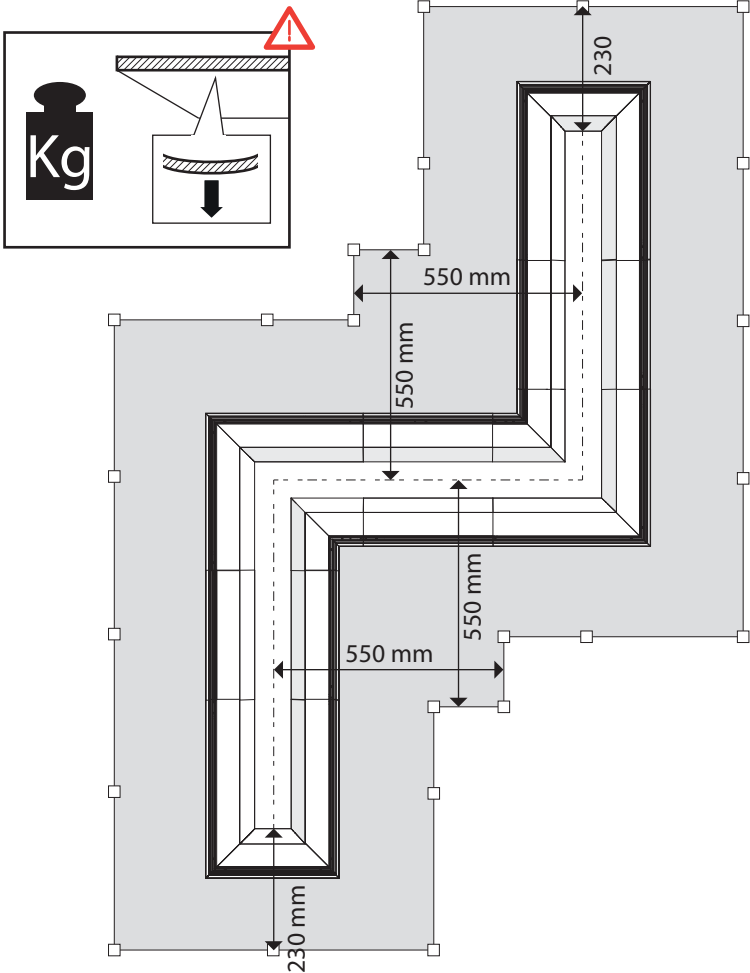
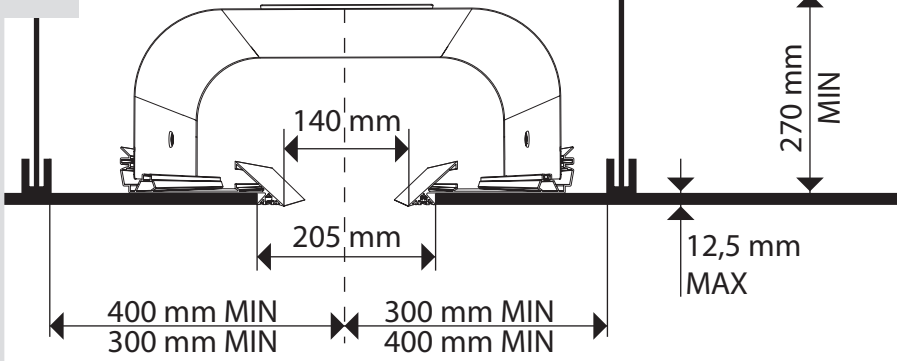




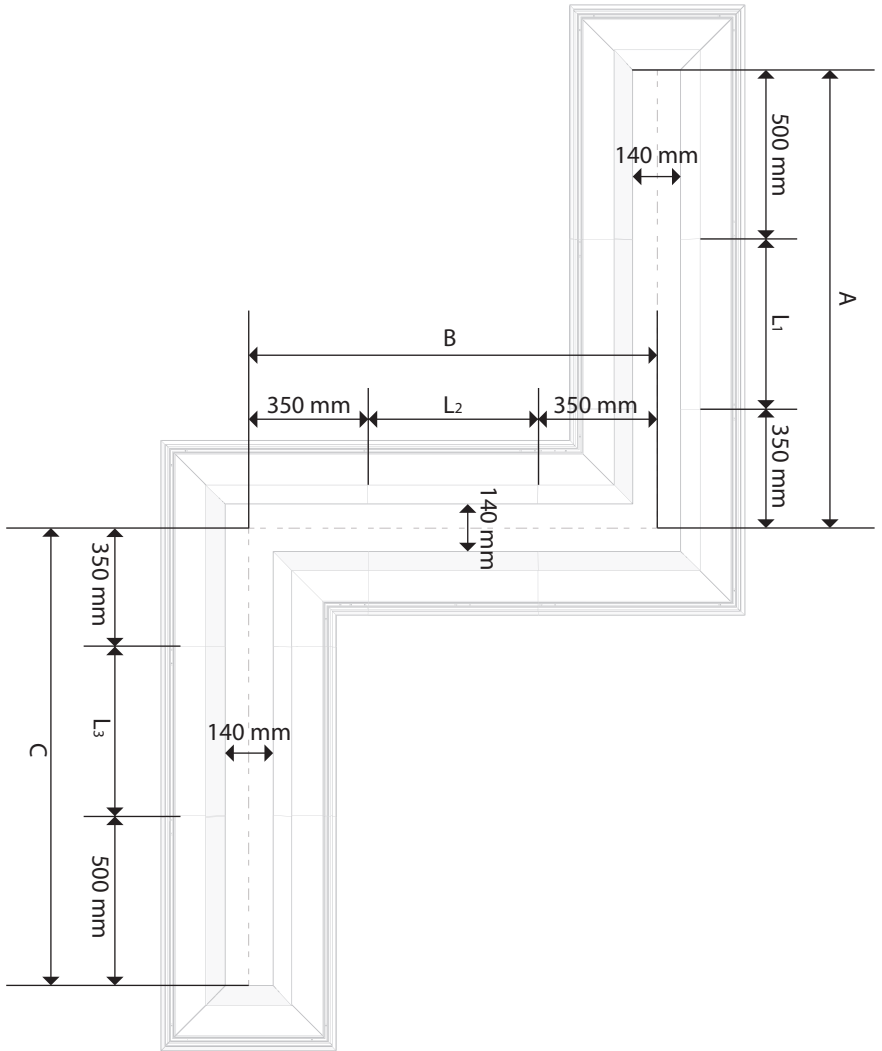
i

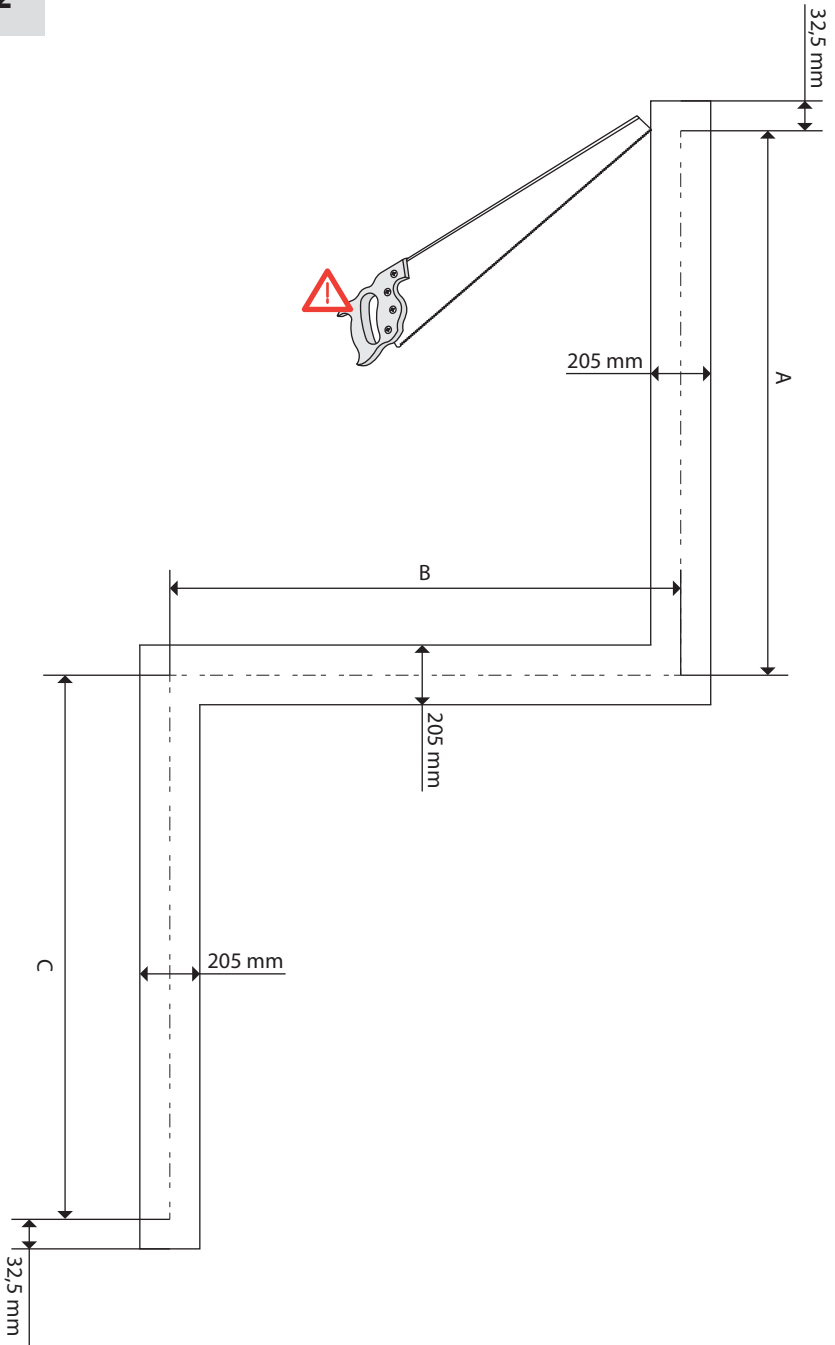


i

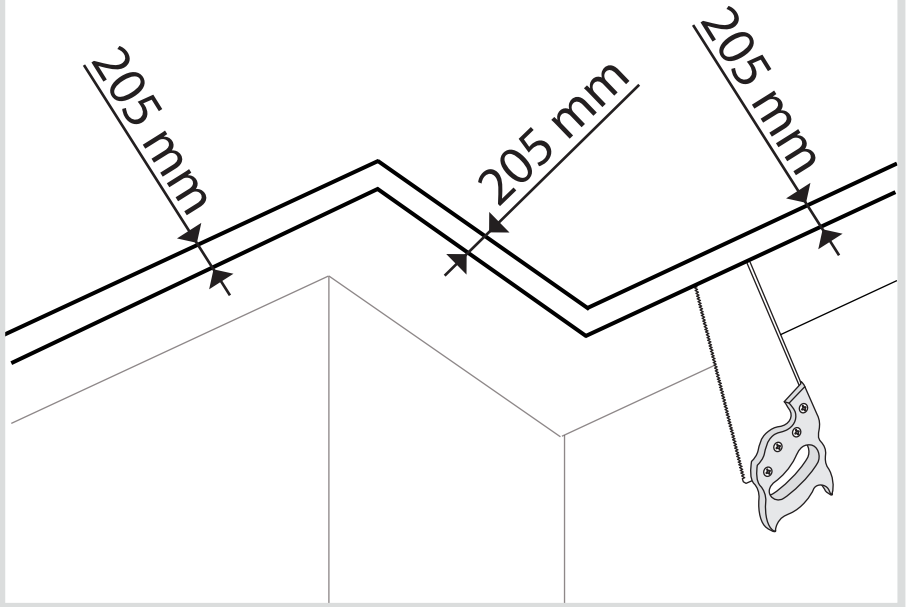


1

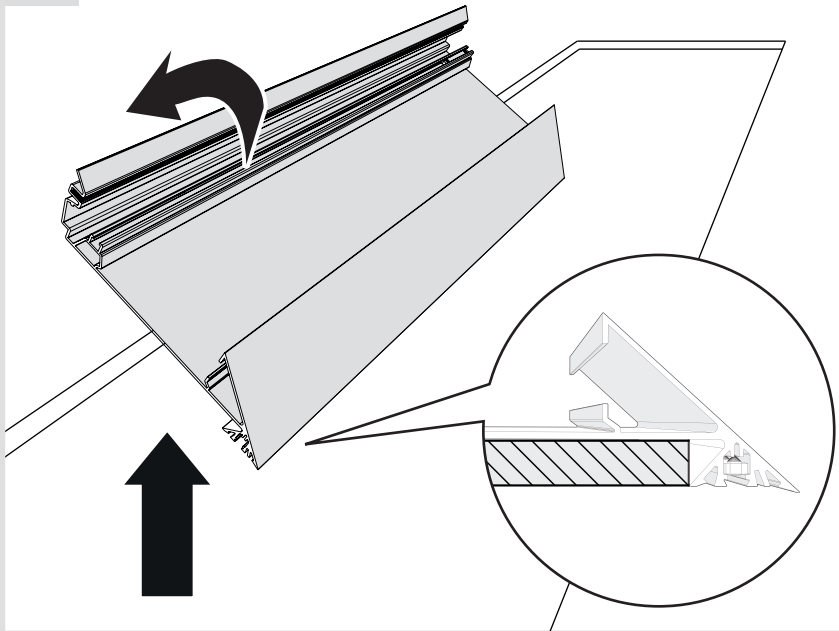




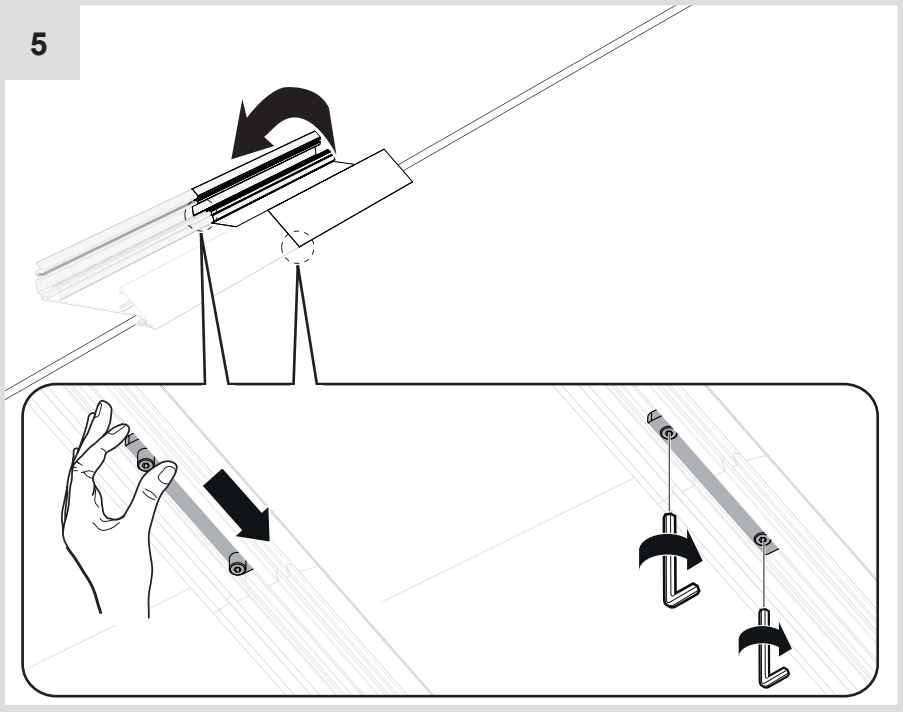
3



4

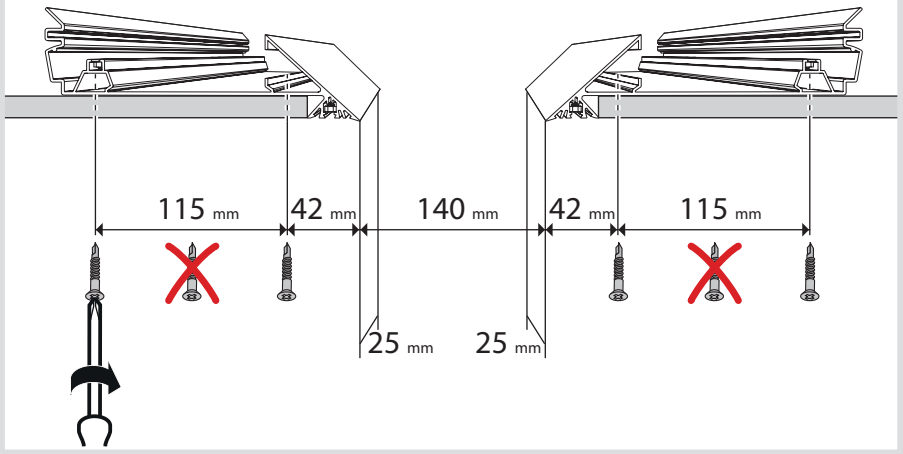


5

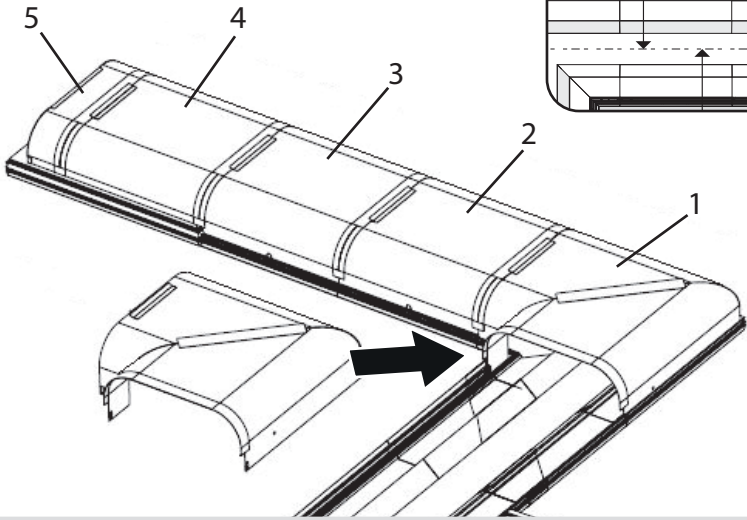


6

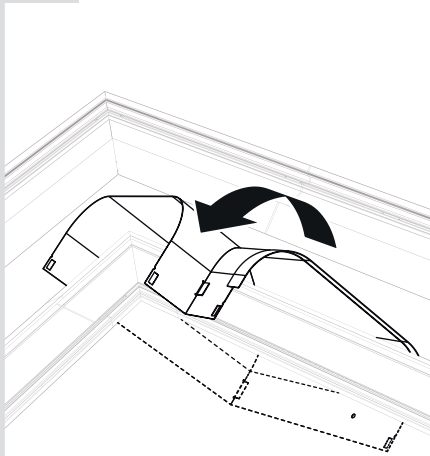
22 mm  
MAX



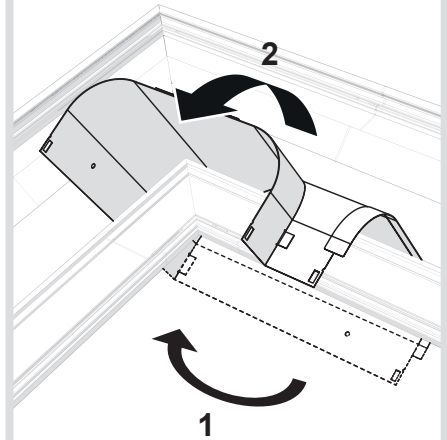
7

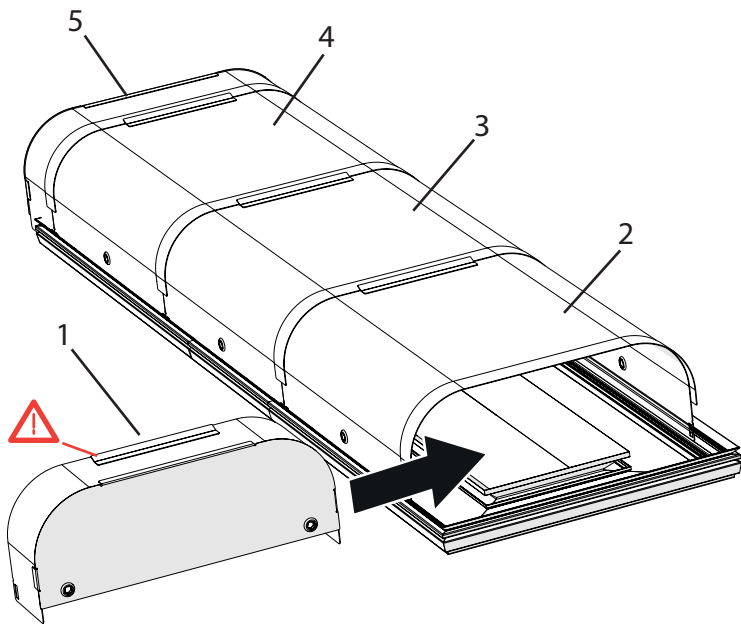


8

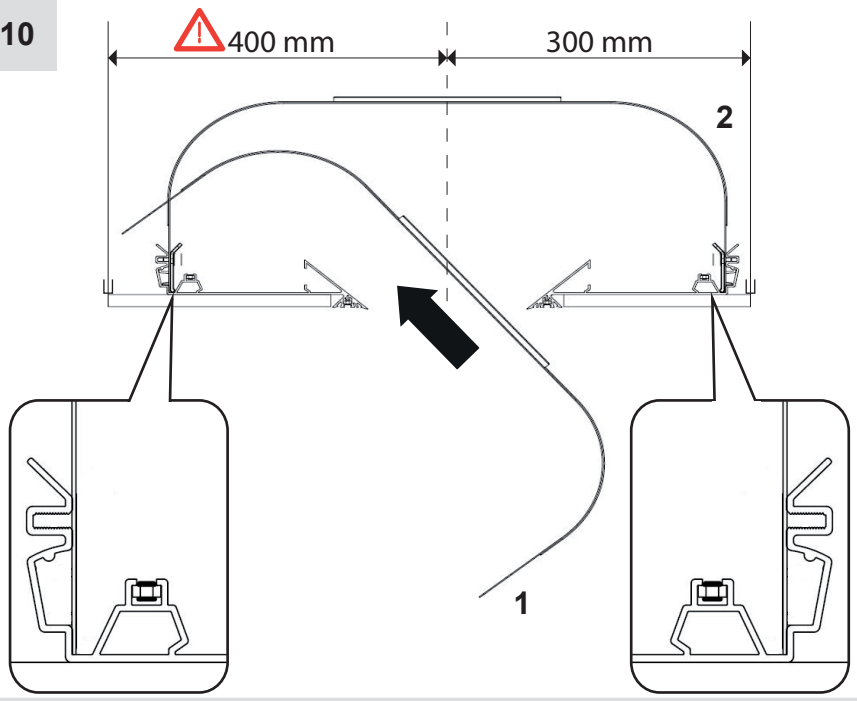


9

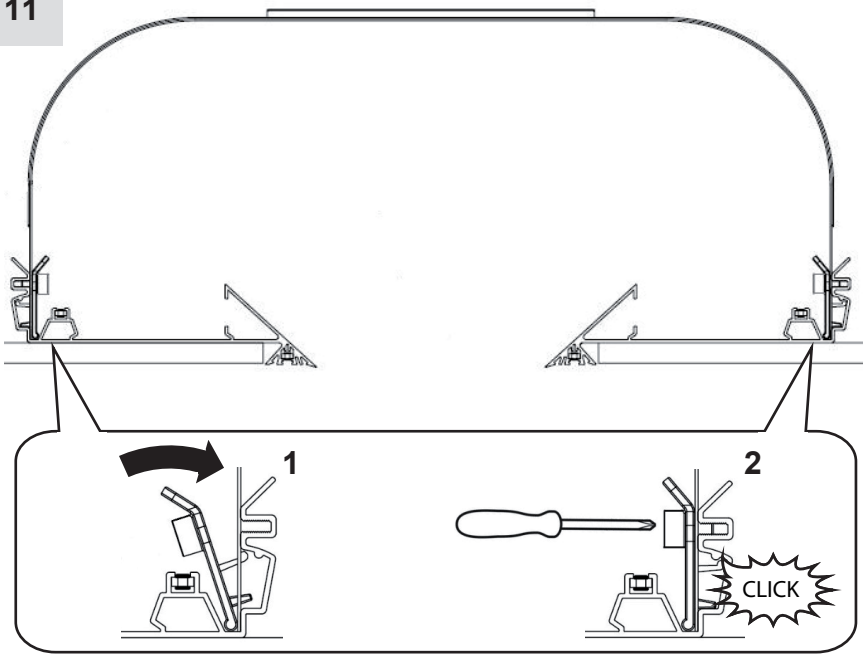




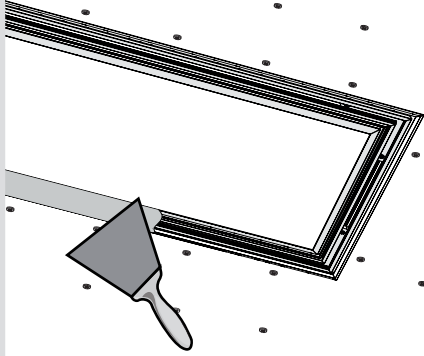
10



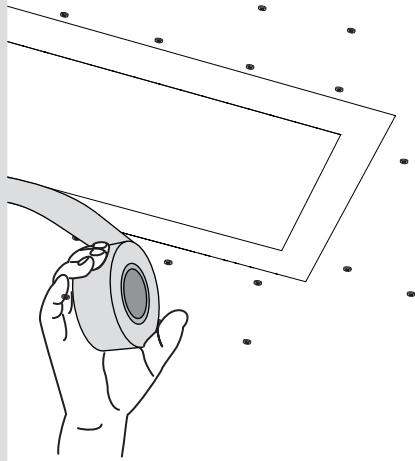
11



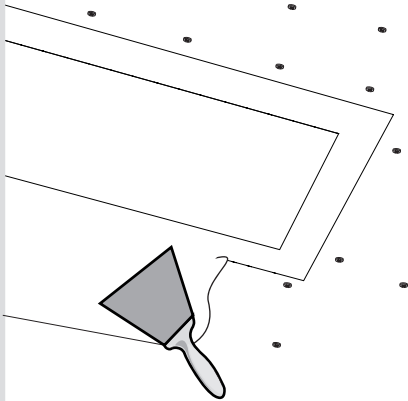
12



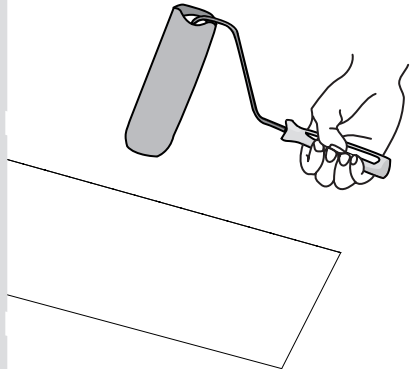
13

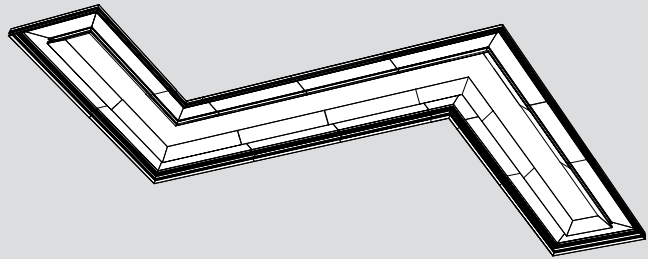


14



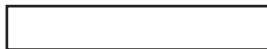
15







**Artemide®**



**Artemide**

via Bergamo, 18  
20010 Pregnana M.se (MI)  
ITALIA

tel. +39 02 935 181  
fax +39 02 935 90 254  
fax +39 02 935 90 496

[www.artemide.com](http://www.artemide.com)

VAT IT00846890150

cod. Y503300210A