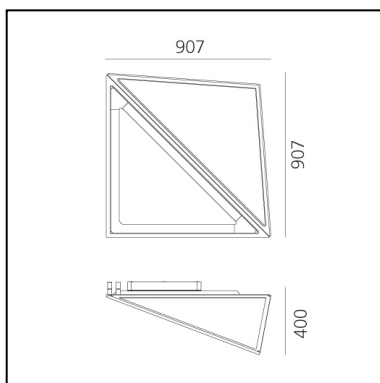


Flexia - Wall - 3000K - Blue

Mario Cucinella



Dimmerable: 



LUMINAIRE

- Watt: **65W**
- Delivered lumens output: **6475lm**
- CCT: **3000K**
- Efficiency: **83%**
- Efficacy: **99.61lm/W**
- CRI: **90**
- Dimmable Typology: **Push & APP, Push/DALI**

Notes

UGR standards for use in work spaces in any installation position.

DESCRIPTION

“Flexia is a play on perceptions, between the visible which is material and colour, and the invisible which becomes light”. Inspired by papiroflexia, the art of papyrus-folding, Flexia is reminiscent of the Japanese art of origami.

Flexia stems from the combination of the technical lighting know-how of Artemide and the experience in sustainable design of Mario Cucinella, whose work pursues a constant focus on sustainable, conceived according to a holistic approach and laid out on all design scales.

The acoustic panel section controls reverberation, absorbing the sound waves reflected in the environment, whilst the patented Discovery technology, the result of research by Ernesto Gismondi into the quality of the light that animates the transparent emitting surface, generates a diffused emission of light that is both even and comfortable that also respects UGR standards for use in work spaces in any installation position.

Flexia's flexible wings are equipped with a rotation mechanism that goes from 0 to 15° and 30° meaning that the many possible inclinations and positions can help calibrate interaction with the environment; shape, materials and density are selected to work mainly on the frequencies of human speech; the result is beauty that derives from a parametric and functional intelligence.

This goes hand-in-hand with a careful choice of materials; in particular, the sound-absorbent part is developed using recycled fibres: the external fabric comes 100% from PET bottles, whilst the internal panel is obtained from waste materials.

Flexia has been designed to improve the quality of the environments, generating an efficient combination for all lighting needs; the juxtaposition of multiple modules can shape environments based on the principles of perfectly balanced light and sound.

PRODUCT CODE: CC60300

FEATURES

- Article Code: **CC60300**
- Colour: **Blue**
- Installation: **Wall**
- Series: **Design Collection, Architectural Indoor**
- design by: **Mario Cucinella**

DIMENSIONS

- Length: **cm 90.7**
- Width: **cm 40**
- Height: **cm 90.7**

Accessories

NO
IMAGE
AVAILABLE

Power unit - Push/1-10/DALI - 65W - 220-240VAC -
400x110x50H CC90000

NO
IMAGE
AVAILABLE

Power unit - Push&APP - 65W - 220-240VAC -
400x110x50H CC90000APP